

aperam
made for life

Our offer for automotive exhaust:
a range of tailored solutions

Our grades for exhaust

	Grade designations	Standards		
		ASTM designations		EN
		TYPE	UNS	
 <p>Ferritic stainless steels</p>	K03		S41003	1.4003
	K09X	409	S40900	1.4512
	K33X			1.4513
	K39	439		1.4510
	K39M	430Ti	S43036	1.4510
	K41X	441 ⁽¹⁾	S43932	1.4509
	K44	444	S44400	1.4521
	K44X ⁽²⁾	444	S44400	1.4521
Austenitic stainless steel containing manganese	Aperam 201D (17-4Mn)	201.1	S20100 ⁽³⁾	1.4618 ⁽⁴⁾
Austenitic stainless steels	Aperam 304D (18-9ED)	304	S30400	1.4301
	Aperam 304ED (18-9DDQ) ⁽⁵⁾	304	S30400	1.4301
	Aperam 304L (18-9L)	304L	S30403	1.4307
	Aperam 321 (18-10T)	321	S32100	1.4541
Heat resisting stainless steel according to EN 10095	Aperam 309 (R20-12)	309	S30908	1.4828

(1) Common designation.

(2) High temperature dedicated grade.

(3) With copper addition and 201.1 "rich side" properties per ASTM A240.

(4) Pending update of the standard.

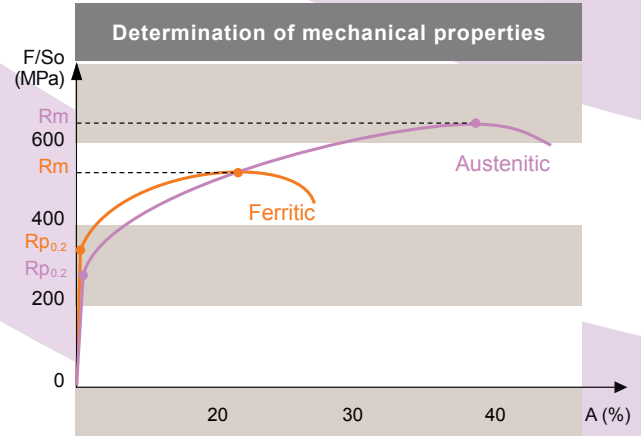
(5) Deep Drawing Quality dedicated grade.

Chemical analysis

Grade designations	Chemical compositions (in weight %) - (typical values)							
	C	N	Si	Mn	Cr	Mo	Ni	Others
K03	0.020	0.015	0.50	0.60	11.00		0.40	
K09X	0.010	0.010	0.45	0.30	11.30			Ti = 0.19
K33X	0.015	0.015	0.50	0.25	17.30	0.90		Ti = 0.35
K39	0.020	0.015	0.40	0.30	17.50			Ti = 0.35
K39M	0.020	0.015	0.40	0.30	16.50			Ti = 0.40
K41X	0.015	0.015	0.60	0.30	17.80			Ti+Nb = 0.65
K44	0.015	0.020	0.50	0.30	17.70	1.85		Ti+Nb = 0.45
K44X	0.015	0.015	0.40	0.30	19.00	1.90		Nb = 0.60
Aperam 201D (17-4Mn)	0.050	0.10	0.35	6.00	16.80		4.60	Cu = 1.60
Aperam 304D (18-9ED)	0.040	0.055	0.40	1.20	18.20		8.10	
Aperam 304ED (18-9DDQ)	0.045	0.035	0.40	1.10	18.20		9.10	
Aperam 304L (18-9L)	0.025	0.065	0.40	1.40	18.20		8.05	
Aperam 321 (18-10T)	0.025	0.010	0.50	1.10	17.20		9.10	Ti = 0.30
Aperam 309 (R20-12)	0.050	0.030	1.60	1.35	19.30		11.40	

Mechanical properties

Grade designations	Mechanical properties annealed condition (typical values)		
	Rp _{0.2}	Rm	A%
K03	350	490	28
K09X	250	420	32
K33X	300	470	32
K39	300	460	30
K39M	290	450	31
K41X	310	490	30
K44	370	520	29
K44X	370	540	29
Aperam 201D (17-4Mn)	320	660	52
Aperam 304D (18-9ED)	300	630	55
Aperam 304ED (18-9DDQ)	270	610	57
Aperam 304L (18-9L)	300	630	54
Aperam 321 (18-10T)	270	600	50
Aperam 309 (R20-12)	310	640	52



With	
Rm	Ultimate Tensile Strength (UTS) MPa
Rp_{0.2}	Yield Strength (YS) MPa
A	Elongation (E) % Sample according to ISO 6892-1, part 1: 20x80mm (thickness < 3mm) Lo = 5.65√So (thickness ≥ 3mm) Sample according to ASTM A370: 12.5x50mm
1 MPa	= 1 N/mm ² = 145 PSI = 0.1kg/mm ²

Size range

Grade designations	Thickness (mm)																
	0.5	0.6	0.8	1.0	1.2	1.5	2.0	3.0	4.0	5.0	6.0	7.0	8.0	9.0	10.0	11.0	12.0
K03																	
K09X																	
K33X																	
K39																	
K39M																	
K41X																	
K44																	
K44X																	
Aperam 201D (17-4Mn)																	
Aperam 304D (18-9ED)																	
Aperam 304ED (18-9DDQ)																	
Aperam 304L (18-9L)																	
Aperam 321 (18-10T)																	
Aperam 309 (R20-12)																	

Cold rolled

Hot rolled

Our comprehensive size range

Coil - Strip

Possibilities according to thickness & width

Thickness in mm	Min width in mm	Max width in mm
$0.5 \leq th < 0.6$	30	1250
$0.6 \leq th < 0.8$	30	1500
$0.8 \leq th < 1.2$	40	1500

Other dimensions are possible on request

A large choice of thicknesses is available ranging from 0.5mm to 8mm for ferritics and even 12mm for austenitics and with a choice of widths up to 1500mm for ferritics and even 2000mm for austenitics. Under 0.5mm possible on request.

Sheets - Blanks

Service centre supply is possible on request

Logistics offer

"X: the key for just in time deliveries, reliable quality and continuous improvement as required by the automotive market"

Our offer

for the exhaust market

We have developed a wide choice of grades to provide you with the solution tailored to your requirement, with:

KARA, our comprehensive range of nickel-free ferritic stainless steels, for:

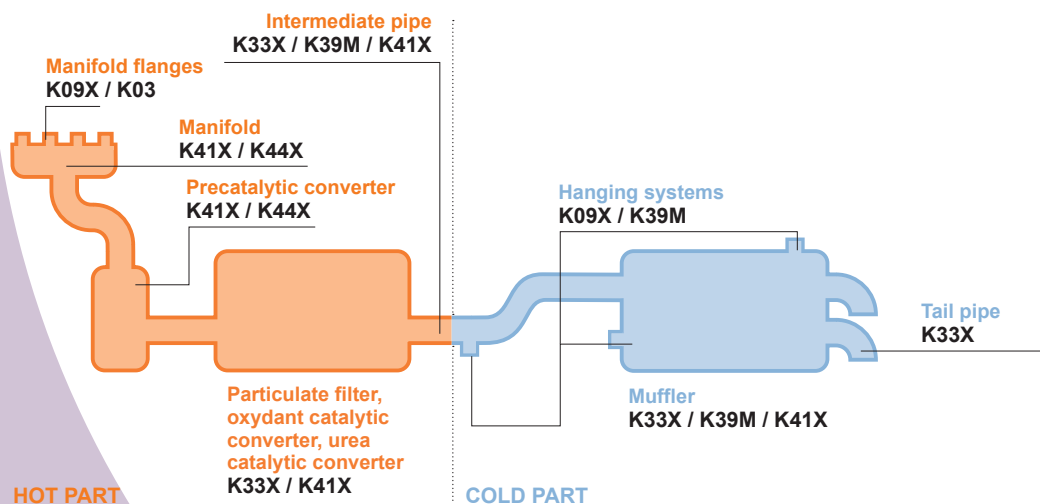
- **Heat-resistance and durability** (manifolds, catalytic converters) with our niobium-stabilised grades
- **Pollution reduction solutions** (DPF, SCR, EGR) with our 17% chromium, molybdenum, titanium and/or niobium stabilized grade
- **Resistance to internal and external corrosion** (mufflers), with our dual-stabilised and molybdenum grades to resist corrosive condensates and road salt.

These grades are offered in a wide range of thicknesses, from 0.5mm for double skins to 12mm for your flanges.

Austenitic stainless steels, our traditional offer for very deep drawing applications.

The new 17-4Mn, our chromium-manganese austenitic stainless steel offer with a reduced nickel content.

The stainless steel exhaust system.



Our commitments

to ensure your projects' success

> Understanding what you really need

Since stainless steel started to be used in exhaust systems, we have been focussing on your requirements and developing solutions best suited to your needs.

> Ongoing support

As European leader in the exhaust market, we can guarantee responsive technical support, access to our latest innovations and a close partnership, including co-development of your solutions.

> Our expertise is at your disposal

We rely upon the long recognized expertise of our research centre in the fields of forming, corrosion, welding, heat-resistance and numerical simulation.

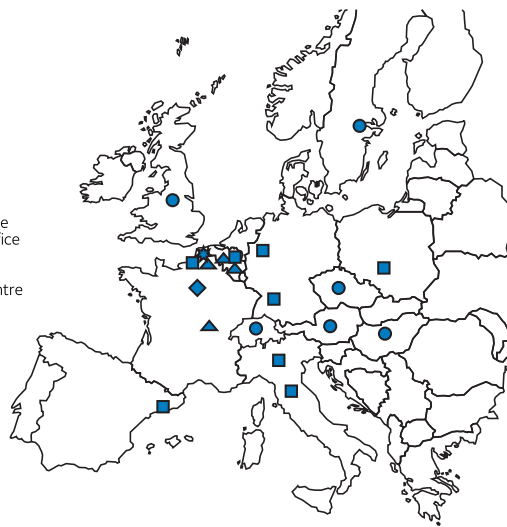
> Providing you with the best service

We combine flexibility and responsiveness thanks to a comprehensive logistics offer, with direct deliveries or via our service centres located close to your plants, everywhere in Europe.

Contacts

Flat Products

- ◆ Head office
- ▲ Plant
- Service centre and Sales Office
- Sales office
- ★ Research Centre



Austria

Aperam

Services & Solutions Austria
Traunferstr. 110a
A - 4052 Ansfelden
Tel. : +43 7229 8292 0
Fax : +43 7229 8292 013

Germany

Aperam

Services & Solutions Germany
Hildener Straße 28
DE - 40699 Erkrath
Tel. : +49 2104 309 0
Fax : +49 2104 309 243

Scandinavia

Aperam

Services & Solutions Nordic AB
Sigurdsгатan 21, 8th floor
SE-721 30 Västerås
SWEDEN
Tel. : +46 16 15 85 00
Fax: +46 16 15 85 19

Canada

Aperam

Services & Solutions Canada
1005 Skyview Drive, Suite 100
Burlington, Ontario, L7P 5B1
Tel. : +1289 313 2000
Fax: +1905 336 0419

Benelux

Aperam

Services & Solutions Belgium
Bosdel 87 - Genk Zuid - zone 5
BE - 3600 Genk
Tel. : +32 89 36 56 00
Fax : +32 89 36 56 02

Hungary

Aperam

Services & Solutions Hungary
Varosmajor u. 13.
HU - 1122 Budapest
Tel. : +36 122 52 480
Fax : +36 122 52 481

Spain

Aperam

Services & Solutions Iberica
Pol. Ind. Can Calderon
C/Torrent Fondo, 7
ES - 08840 Viladecans
Tel. : +34 93 425 97 00
Fax : +34 93 425 97 33

United States

Aperam

Services & Solutions USA
98 Floral avenue
New Providence, NJ07974
Tel. : +1908 988 0625
Fax : +1908 988 0664

Czech Republic & Slovakia

Aperam

Services & Solutions Czech
Republic Slezská 13
CZ - 120 00 Praha 2
Tel. : +420 2 210 01 602
Fax : +420 2 210 01 605

Italy

Aperam

Services & Solutions Italy
Viale Brenta 27/29
IT - 20139 Milano
Tel. : +39 02 56 604 237
Fax : +39 02 56 604 210

Switzerland

Aperam

Services & Solutions Switzerland
Industriestrasse 19
CH - 8112 Otelfingen
Tel. : +41 44 851 56 56
Fax : +41 44 851 56 57

France

Aperam

Services & Solutions France
Rue Pierre Loti
FR - 62330 Isbergues
Tel. : +33 3 21 63 58 00
Fax : +33 3 21 63 58 59

Poland

Aperam

Services & Solutions Poland
ul. Henryka Krupanka 97
PL - 41-103 Siemianowice Śląskie
Tel. : +48 32 76 36 121/122/123
Fax : +48 32 76 36 139

United Kingdom

Aperam

Services & Solutions UK
9 Midland Way
Barlborough
GB - Chesterfield - S43 4XA
Tel. : +44 1246 5716 60
Fax : +44 1246 5716 61

For export other countries

Aperam Stainless Europe

Immeuble «Le Cézanne»
30, rue des fruitiers
FR - 93210 La Plaine Saint-Denis
Cedex - France
Tel. : +33 1 71 92 06 99
Fax : +33 1 71 92 07 96